



# LIFAN

## Parts Catalog

### LF1200DT

2018 Edition



# UNIVERSAL

## HARDWARE®

Box 585, Center Road  
Spanish Lookout  
Tel 501 823 0254  
[sales@universalhardware.bz](mailto:sales@universalhardware.bz)

3380 Chetumal Street  
Belize City  
Tel 501 224 4140  
[salesbz@universalhardware.bz](mailto:salesbz@universalhardware.bz)



**ML100-A**



**LF110-7A**



**LF1200DT**



**ML125-5**



**ML125-7**



**ML125T-26**



**LF150-7**



**LF150GY-3B**



**LF200GY-4**



**LF250GY-4**



**LF150-10F**



**LF150-10S**



**ML200-16D**



**ML250-4**



**ML200ZH-3**



12001-1	Steering bar pipe	
12001-2	Steering stem connecting set	
12001-3	Steering stem top bridge	
12001-4	Accelerator comp.	
12001-5	Seat lock cable	
12001-6	Grip, RH	
12001-7	Throttle cable comp.	
12001-8	Handlebar switch, RH	
12001-9	Rearview mirrow, RH	
12001-10	Rear brake cable	
12001-11	Grip, LH	
12001-12	Handlebar switch, LH	
12001-13	Rear Brake Lever	
12001-14	Rearview mirrow, LH	

F-02 仪表总成 METER ASSY

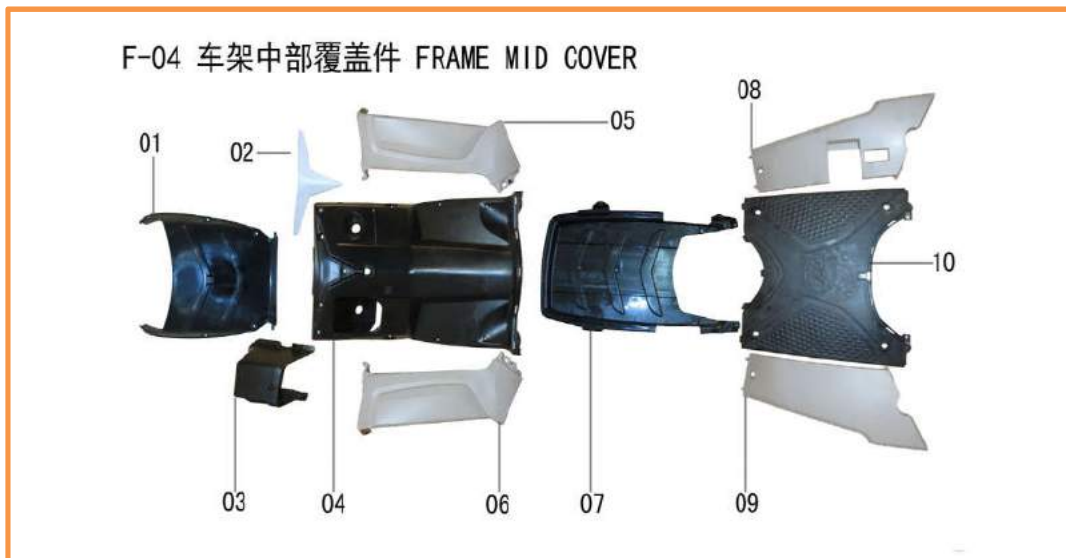


12002-1	Meter assy.	
12002-2	Steering bar clamp	
12002-3	Meter bracket	
12002-4	Meter case	

F-03 前面板 & 前大灯 FRONT COVER & HEADLIGHT



12003-1	Front cowl	
12003-2	Headlight assy.	
12003-3	Front winker, LH	
12003-4	Front winker, RH	



12004-1	Front guard	
12004-2	Front trunk ornament	
12004-3	Front trunk connecting plate	
12004-4	Front trunk	
12004-5	Windshield, RH	
12004-6	Windshield, LH	
12004-7	Lower guard	
12004-8	Guard, RH	
12004-9	Guard, LH	
12004-10	Rider treadle	



<b>12005-1</b>	<b>Rear panel, LH</b>	
<b>12005-2</b>	<b>Pillion footrest plate, LH</b>	
<b>12005-3</b>	<b>Rear panel, RH</b>	
<b>12005-4</b>	<b>Pillion footrest plate, RH</b>	
<b>12005-5</b>	<b>Rear carrier</b>	



12006-1	Rear trunk front hood	
12006-2	Rear lower trunk	
12006-3	Rear trunk	
12006-4	Rear trunk cover set	
12006-5	Rear trunk cover buckle	
12006-6	Rear trunk cover buckle spring	
12006-7	Seat	
12006-8	Battery pressing spring	
12006-9	Battery pressing plate	
12006-10	Seat Grommet	
12006-11	VIN cover	



F-07 前挡泥板 FRONT FENDER

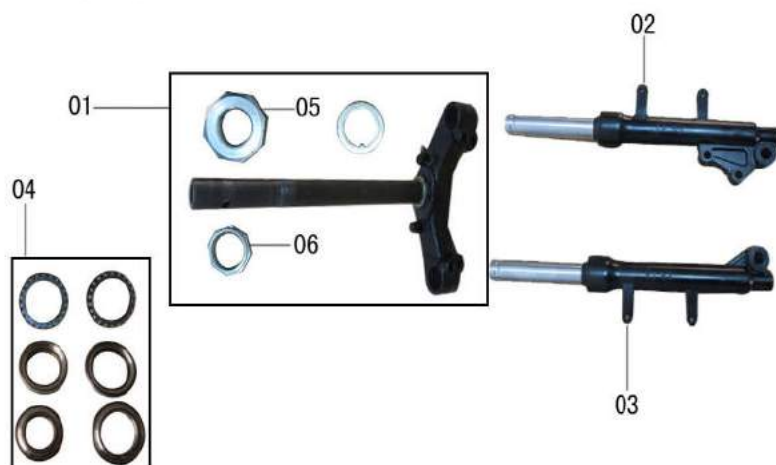


12007-1	Front fender	
---------	--------------	--



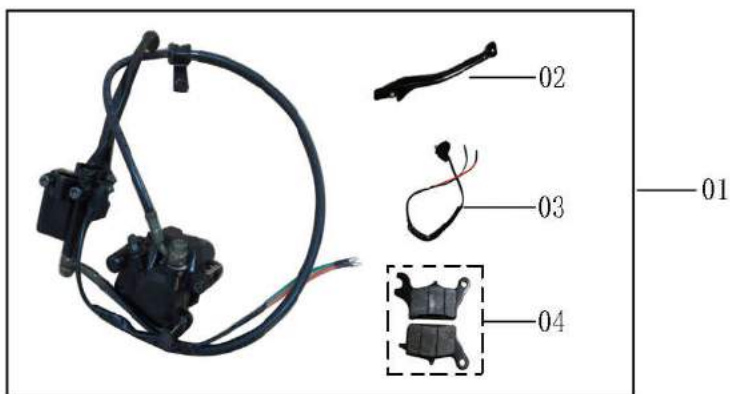
12008-1	Rear head fender	
12008-2	Rear mid fender	
12008-3	Taillight assy.	
12008-4	Rear tail fender	
12008-5	Winker, rear, RH	
12008-6	Rear winker, LH	
12008-7	Rear Reflector	
12008-8	Rear license plate bracket set	
12008-9	License plate light comp.	
12008-10	Bulb	
12008-11	Rear Reflector	

F-09 前叉 FRONT FORK

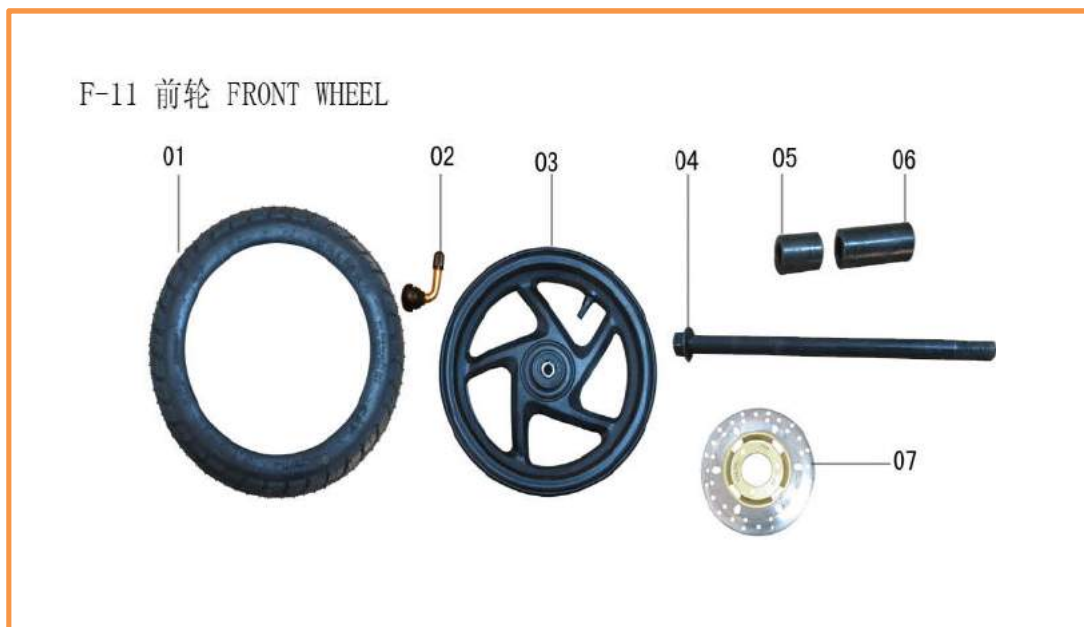


12009-1	Steering stem comp.	
12009-2	Front shock absorber, LH	
12009-3	Front shock absorber, RH	
12009-4	Steering stem bearing set	
12009-5	Locknut, Steering Stem	
12009-6	Locknut, Steering Stem	

F-10 前液压制动器总成 FRONT HYDRAULIC BRAKE ASSY

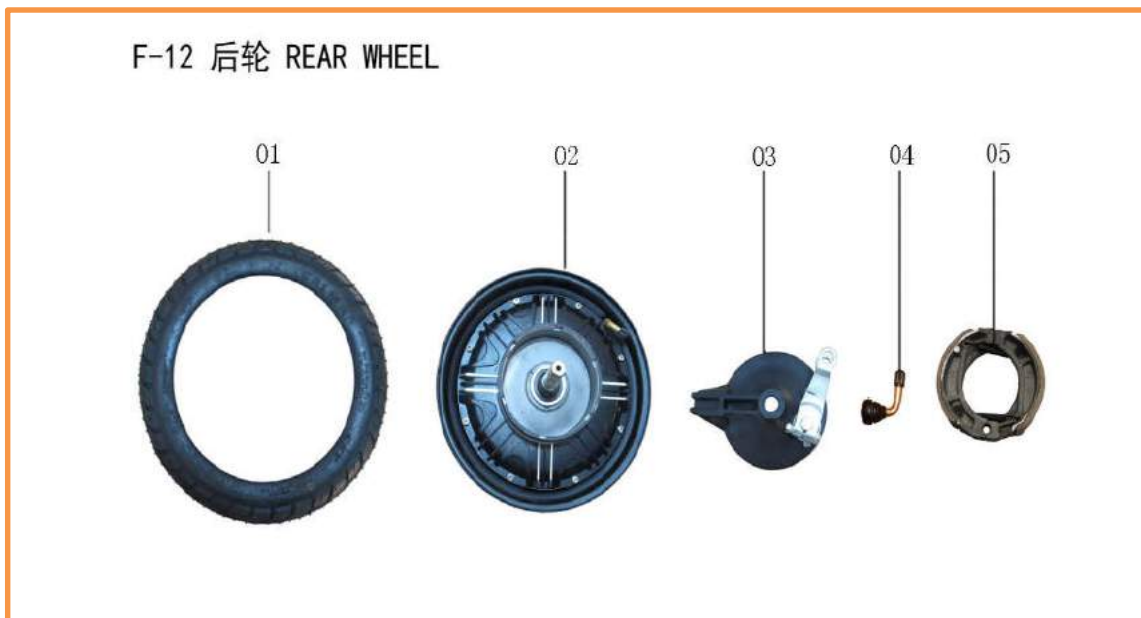


120010-1	Front hydraulic brake assy.	
120010-2	Front Brake Lever	
120010-3	Front Brake Switch	
120010-4	Front Disc Brake Pad	



120011-1	Front Tyre	
120011-2	Tube Valve	
120011-3	Front wheel hub comp.	
120011-4	Front axle	
120011-5	Front wheel bush, LH	
120011-6	Front wheel bush, RH	
120011-7	Front brake disk	

F-12 后轮 REAR WHEEL

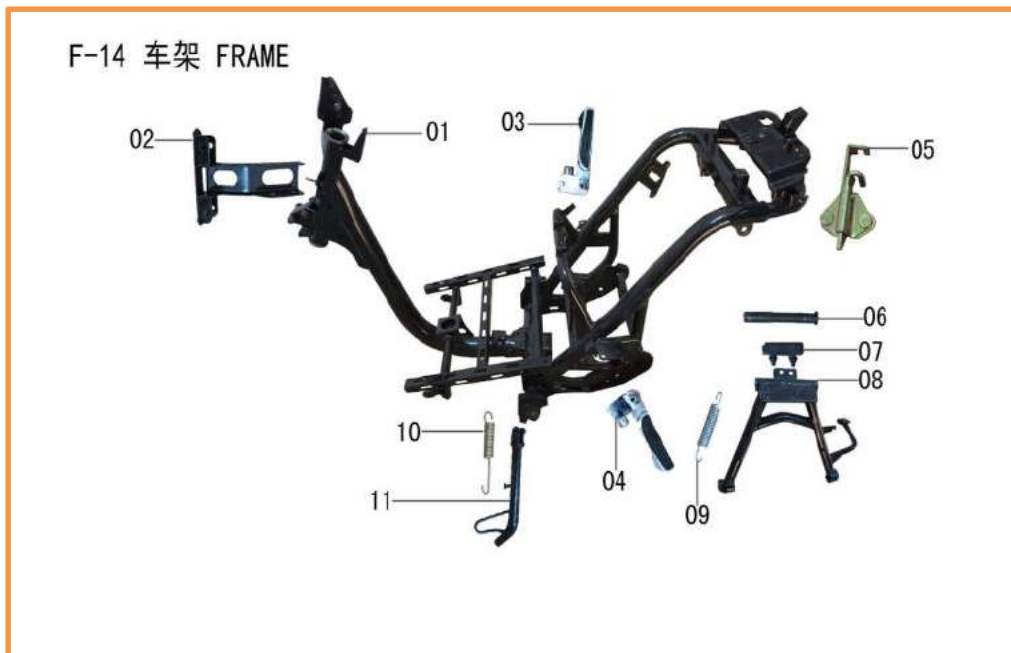


120012-1	Rear Tyre	
120012-2	Motor	
120012-3	Rear brake	
120012-4	Tube Valve	
120012-5	Rear disc brake pad	

F-13 后减震器总成 REAR SHOCK ABSORBER ASSY



120013-1	Rear shock absorber	
----------	---------------------	--



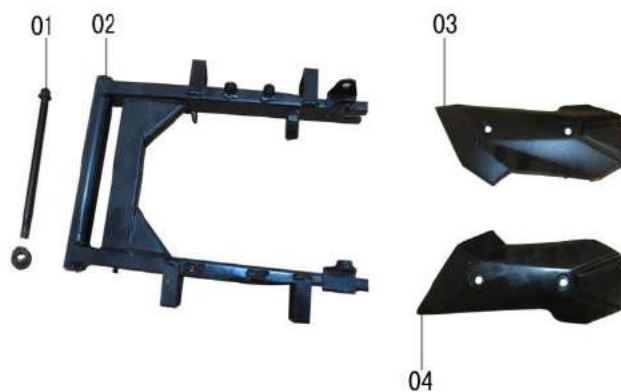
120014-1	Frame weldment	
120014-2	Front cowl stay set	
120014-3	Pillion footrest assy., RH	
120014-4	Pillion footrest assy., LH	
120014-5	Seat Lock Set	
120014-6	Center stand shaft	
120014-7	Rubber,Center Stand	
120014-8	Center stand	
120014-9	Center stand spring	
120014-10	Side stand spring	
120014-11	Side stand comp.	





120015-1	USB	
120015-2	Main cable	
120015-3	Controller	
120015-4	DC-DC transfoimer	
120015-5	Lock Kit	
120015-6	Lithium battery	
120015-7	Charger comp.	
120015-8	Overload protective switch	
120015-9	Flashing relay	
120015-10	Horn	

F-16 后又焊接组合 REAR FORK



120016-1	Rear Fork Shaft	
120016-2	Rear fork comp.	
120016-3	Rear wheel guard, RH	
120016-4	Rear wheel guard, LH	

# **LF1200DT**

## **Parts Catalog**

Ø Always wear a helmet while driving  
Motorcycles

Ø Always have your headlights on while driving,  
even during the day – for safety reasons and  
longer battery life

Ø Make sure all lights work properly at all times

Ø Always drive with Insurance Coverage,  
Licensed Motorcycle and Motorcycle Driver's  
License

Ø Change oil (SAE15W/40SE) after the first 500  
KMs and after every 2,000 KMs

Ø Use Regular Gas

Ø Always Drive with Awareness for  
**SAFETY.**





## Meilun Motorcycle Warranty Policy

Meilun Motorcycles are under 3 months or 2,000 KMs warranty – whichever comes first. Specific items under warranty are:

- The Engine, and its related parts
- Cables, Horn, Switches
- And any other manufacturer's defect on motorcycle.

The following items are not covered under this warranty:

- Tires, Tubes, Chain & Sprockets
- Covers, Mirrors, Light Lenses, Alarm System
- Battery – unless convincing evidence shows defect
- And any other damages or wear & tear occurring under the owner's care.